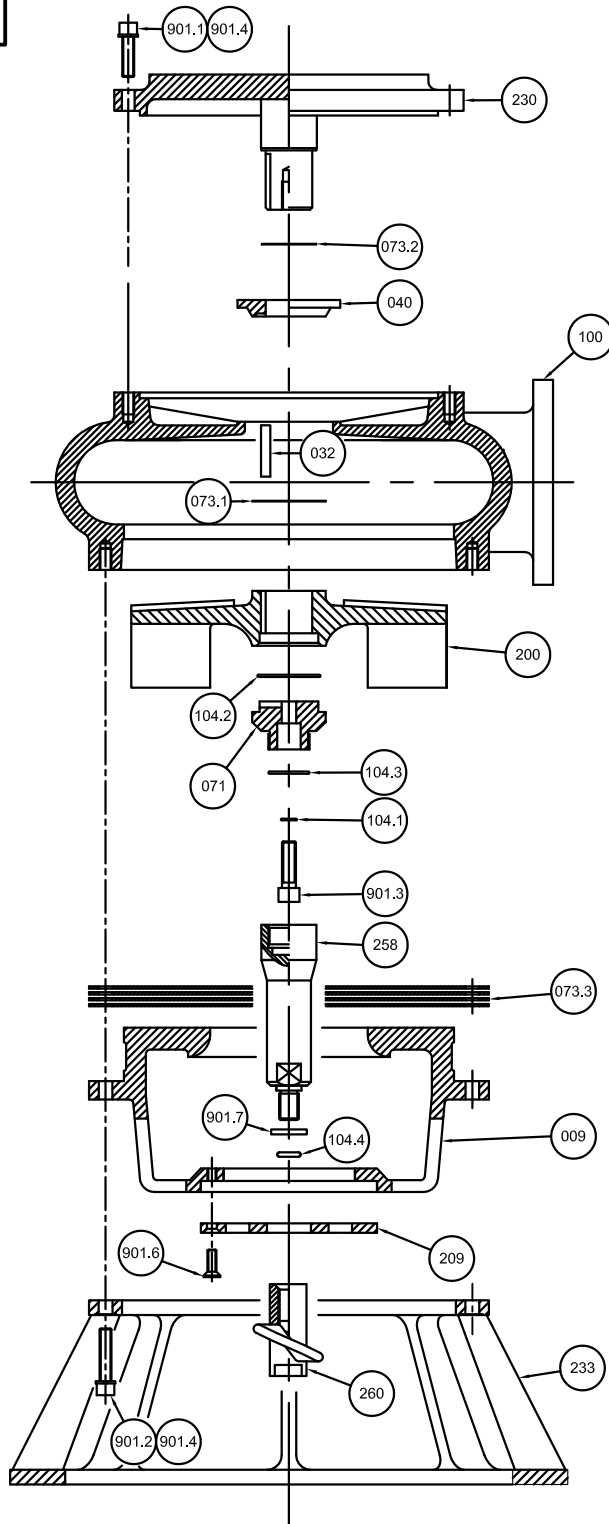




VULCAN PUMPS - HDS 200L-A (HIGH CHROME WET END / LOW PRESSURE HYDRAULIC / 8 INCH DISCHARGE / AGITATOR)

ITEM	ITEM	ITEM	ITEM	PART NUMBER	QTY.	DESCRIPTION	EXT. DESC.1	MODEL1	MODEL 2	WT. (KG)	WT. (lbs)	MTL.	DWG. #
707				707.2000.03616		KIT, WET END - COMPLETE	375mm IMP	HDS 200L	A	389.74	857.58	HIGH CHROME	
	701			701.2000.03479	1	KIT, WET END - BASIC	375mm IMP	HDS 200L		375.57	826.37	HIGH CHROME	
		100		100.1228.03009	1	CASING	VOLUTE	HDS 200L				A532 CL III TP. A	D1012
		200		200.1228.03039	1	IMPELLER	RH, 5V, 375mm VTD	HDS 200L				A532 CL III TP. A	C1042
		009		009.1228.03091	1	COVER	SUCTION	HDS 200L				A532 CL III TP. A	D1068
		040		040.2229.03215	1	DEFLECTOR	IMPELLER	FRAME 320TY / 360TYS				ASTM A276 TYPE 316	B1109
		233		233.1051.03069	1	STAND	PUMP	HDS 200L				ASTM A536 Gr. 80-55-06	C1396
		032		032.2228.03265	1	KEY	DRIVE	FRAME 320TY / 360TYS				304SS	B1120
		902		902.2000.03273	1	KIT, FASTENER						A4/70	
		901.1		901.2334.03285	8	FASTENER	SCREW	HEX SOCKT.HD.CAP	DIN 912 / M16 X 55			A4/70	
		901.2		901.2334.03287	8	FASTENER	SCREW	HEX SOCKT.HD.CAP	DIN 912 / M16 X 70			A4/70	
		901.3		901.2255.03297	1	FASTENER	SCREW	HEX SOCKT.HD.CAP	ANSI B18.3 / 3/4"UNC X 2.50"			17-4 H 1150	
		901.4		901.2334.03293	16	FASTENER	WASHER	LOCK	DIN 127B / M16			A4/70	
		903.1		903.2000.03344	1	KIT, GASKET		FRAME 320TY / 360TYS					
		073.1		073.5108.03349	1	GASKET	IMPELLER	FRAME 320TY / 360TYS				Durlon 8500	B1123
		073.2		073.5108.03350	1	GASKET	DEFLECTOR	FRAME 320TY / 360TYS				Durlon 8500	B1126
		903.2		903.2000.03354	1	KIT, GASKET		HDS 200L					
		073.3		073.5108.03361	4	GASKET	SUCTION	HDS 200L				Durlon 8500	B1133
		905		905.2000.03125	1	KIT, AGITATOR		HDS 200L	A	6.37	14.05		
		260		260.1228.03131	1	AGITATOR	ROTATING	HDS 200L	A			A532 CL III TP. A	B1092
		209		209.2338.03159	1	SCREEN	SUCTION	HDS 200L				QT400	B1098
		901.6		901.2334.03300	3	FASTENER	SCREW	HEX SOCKT, CSK. HD. FLAT	DIN 7991 / M12 X 30			A4/70	
		906		906.2000.03320	1	KIT, SHAFT EXTENSION		HDS 200L	A	7.8	17.16		
		071		071.2259.03189	1	ADAPTER	SHAFT	FRAME 320TY / 360TYS	A			ASTM A564 Gr.630 (17-4 PH)	B1106
		258		258.2259.03330	1	EXTENSION	SHAFT	HDS 200L	A			ASTM A564 Gr.630 (17-4 PH)	B1156
		904.1		904.2000.03387	1	KIT, O-RING						BUNA	
		104.1		104.5600.03395	1	O-RING	18 x 2					BUNA	
		104.2		104.5600.03400	1	O-RING	80 x 3					BUNA	
		904.2		904.2000.03390	1	KIT, O-RING						BUNA	
		104.3		104.5600.03399	1	O-RING	50 x 3					BUNA	
		104.4		104.5600.03401	1	O-RING	20 x 6					BUNA	
		901.7		901.2334.03307	1	FASTENER	WASHER	CUSTOM	M33			A4/70	



WET END PARTS - BOM	
HDS 200L-A (AGITATOR)	
DRAWING NBR.: A1199	REV.: 1
EFFECTIVE DATE : 5 FEB 2013	