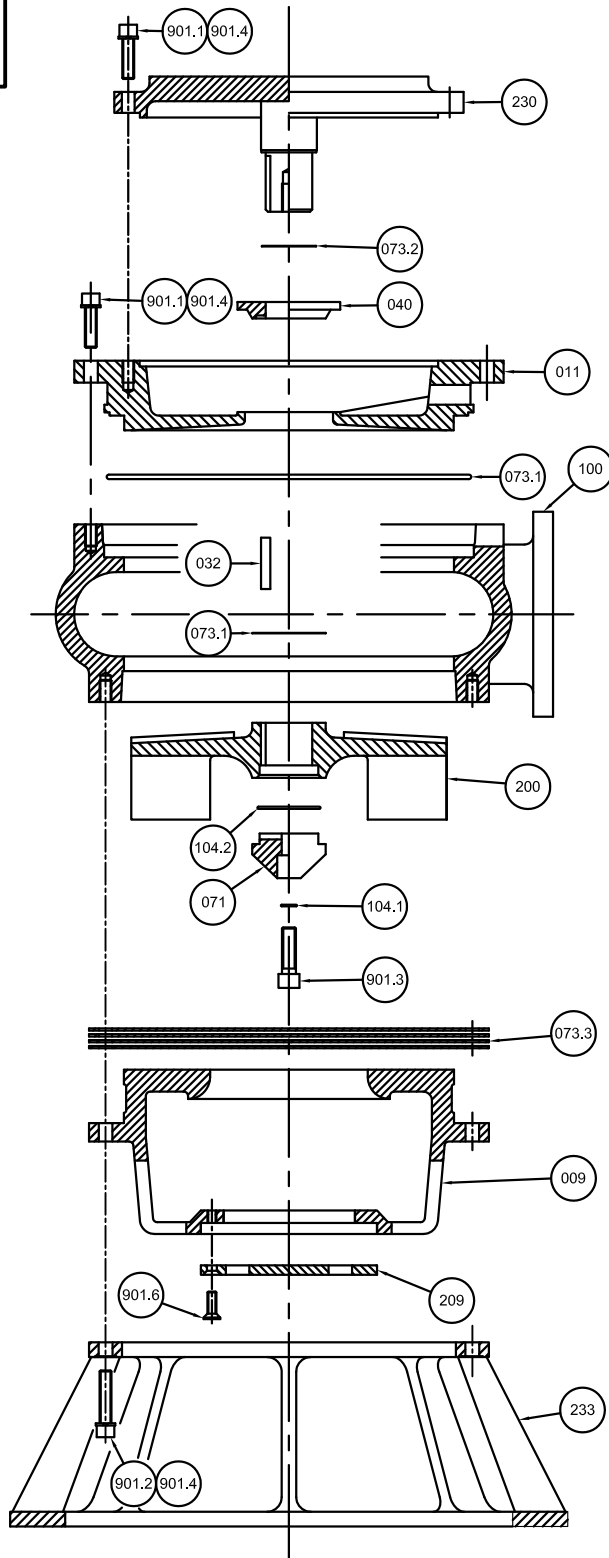




VULCAN PUMPS - HDS 150M-O (HIGH CHROME WET END / MEDIUM PRESSURE HYDRAULIC / 6 INCH DISCHARGE / OPEN SUCTION)

ITEM	ITEM	ITEM	ITEM	PART NUMBER	QTY.	DESCRIPTION	EXT. DESC.1	MODEL1	MODEL 2	WT. (KG)	WT. (lbs)	MTL.	DWG. #
707				707.2000.03679		KIT, WET END - COMPLETE	430 mm IMP	HDS 150M	O	475.65	1046.53	HIGH CHROME	
	701			701.2000.03527	1	KIT, WET END - BASIC	430 mm IMP	HDS 150M		470.33	1034.83	HIGH CHROME	
		100		100.1228.03017	1	CASING	VOLUTE	HDS 150M				A532 CL III TP. A	D1024
		200		200.1228.03047	1	IMPELLER	RH, 5V, 430mm VTD	HDS 150M				A532 CL III TP. A	C1054
		009		009.1228.03099	1	COVER	SUCTION	HDS 150M				A532 CL III TP. A	D1076
		011		011.1228.03117	1	COVER	MOTOR SIDE	HDS 150M				A532 CL III TP. A	D1082
		040		040.2229.03215	1	DEFLECTOR	IMPELLER	FRAME 320TY / 360TYS				ASTM A276 TYPE 316	B1109
		233		233.1051.03075	1	STAND	PUMP	HDS 150M				ASTM A536 Gr. 80-55-06	C1402
		032		032.2228.03265	1	KEY	DRIVE	FRAME 320TY / 360TYS				304SS	B1120
		902		902.2000.03277	1	KIT, FASTENER						A4/70	
		901.1		901.2334.03285	16	FASTENER	SCREW	HEX SOCKT.HD.CAP	DIN 912 / M16 X 55			A4/70	
		901.2		901.2334.03307	8	FASTENER	SCREW	HEX SOCKT.HD.CAP	DIN 912 / M16 X 75			A4/70	
		901.3		901.2255.03297	1	FASTENER	SCREW	HEX SOCKT.HD.CAP	ANSI B18.3 / 3/4"UNC X 2.50"			17-4 H 1150	
		901.4		901.2334.03293	24	FASTENER	WASHER	LOCK	DIN 127B / M16			A4/70	
		903.1		903.2000.03344	1	KIT, GASKET		FRAME 320TY / 360TYS					
		073.1		073.5108.03349	1	GASKET	IMPELLER	FRAME 320TY / 360TYS				Durlon 8500	B1123
		073.2		073.5108.03350	1	GASKET	DEFLECTOR	FRAME 320TY / 360TYS				Durlon 8500	B1126
		903.2		903.2000.03357	1	KIT, GASKET		HDS 150M					
		073.3		073.5108.03364	4	GASKET	SUCTION	HDS 150M				Durlon 8500	B1133
		104.5		104.5601.03420	1	O-RING	CASING	HDS 150M				BUNA	
	909			909.2000.03152	1	KIT, INTAKE SCREEN		HDS 150M	O	3.57	7.85		
		209		209.2338.03158	1	SCREEN	SUCTION	HDS 150M				QT400	B1097
		901.6		901.2334.03300	3	FASTENER	SCREW	HEX SOCKT, CSK. HD. FLAT	DIN 7991 / M12 X 30			A4/70	
	907			907.2000.03195	1	KIT, IMPELLER CAP		HDS 150M	O	1.75	3.85		
		202		202.2259.03201	1	CAP	SHAFT	FRAME 320TY / 360TYS	O			ASTM A564 Gr.630 (17-4 PH)	B1136
		904.1		904.2000.03387	1	KIT, O-RING						BUNA	
		104.1		104.5600.03395	1	O-RING	18 x 2					BUNA	
		104.2		104.5600.03400	1	O-RING	80 x 3					BUNA	



WET END PARTS - BOM	
HDS 150M-0 (OPEN SUCTION)	
DRAWING NBR.: A1216	REV.: 1
EFFECTIVE DATE : 5 FEB 2013	